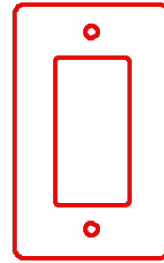
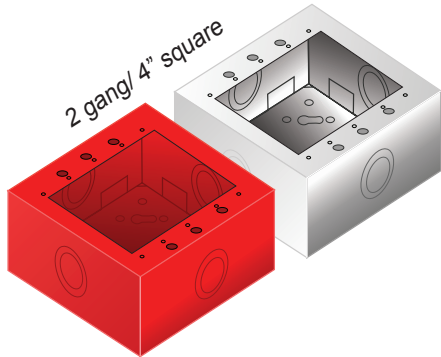


NO EXCUSES!

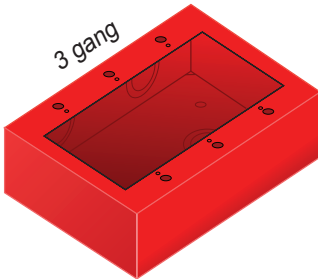
Infinity



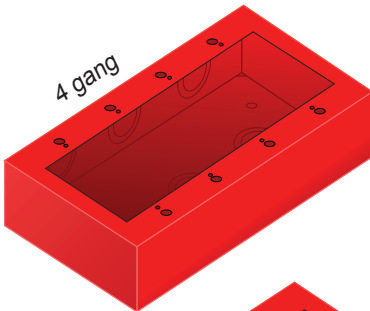
IGB



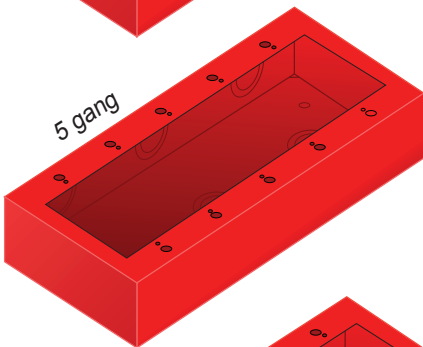
2 gang/ 4" square



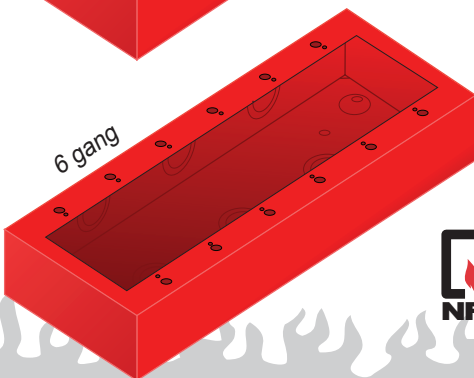
3 gang



4 gang



5 gang



6 gang

Infinity Gang Back Boxes

The IGB Surface Back Boxes are the ideal solution for surface mounting the 2 to 6 Gang Infinity devices. The IGB boxes are designed with attention to installation needs. Each box is designed with a solid surface area with pre-drilled and tapped hole configurations to mount the majority of industry appliances/devices. Durable 18 gauge steel finish in red or white professional grade baked on enamel finish. Each box comes with standard 1/2" & 3/4" EMT knockouts strategically located on the box.

Universal mounting pattern in the box for surface installation. The rugged construction and aesthetic appeal makes the IGB surface back box your logical choice for surface mounting 2 thru 6 gang appliances in your next design installation.

Standard Features:

- 18 gauge steel (.048 thk.)
- Textured baked-on enamel finish (red or white)
- 1/2" & 3/4" embedded EMT knockouts
- Infinity device mounting holes
- Universal mounting pattern



ADA



Made In U.S.A.

**ISO 9001
REGISTERED
COMPANY**



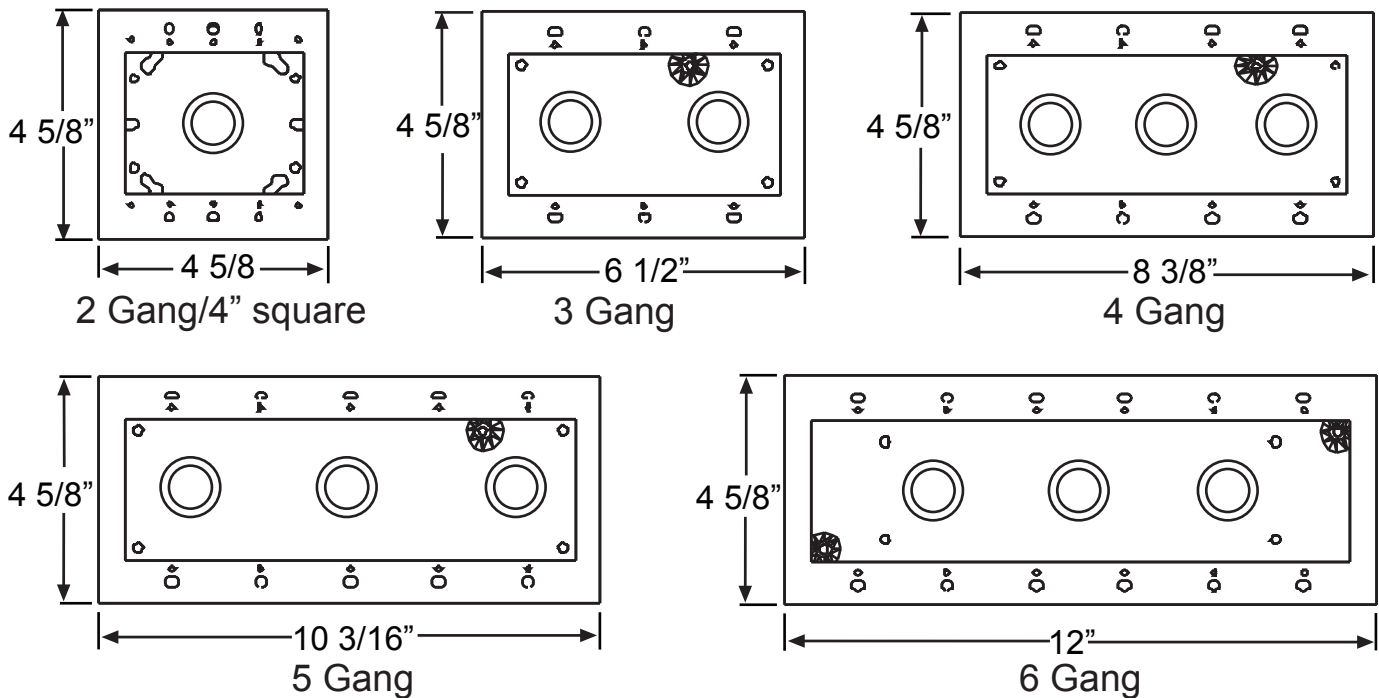
AlerteM

Space Age Electronics, Inc.
www.1sae.com
800.486.1723 Toll Free
508.485.0966 Local
508.485.4740 Fax

Description:

The *Infinity* IGB Surface Back Box is constructed of 18 gauge cold rolled steel with a durable heat resistant baked-on enamel finish. The box will have factory EMT cluster knockouts 1/2" and 3/4" embedded into the enclosure (sides and back). The box will have a minimum of 4 mounting holes to affix the box to the wall surface. The box will provide a minimum of a 1/4" shoulder to level field mounted appliance on back box. Back box shall be a Space Age Electronics, Inc. IGB series surface back box.

Overall Dimensions of Back Box



Ordering Information:

Part #	Description	H	W	D
IGB2W	Back Box 2 gang surface white	4-5/8"	4-5/8"	2"
IGB2R	Back Box 2 gang surface red	4-5/8"	4-5/8"	2"
IGB3R	Back Box 3 gang surface red	4-5/8"	6-1/2"	1-3/4"
IGB4R	Back Box 4 gang surface red	4-5/8"	8-3/8"	1-3/4"
IGB5R	Back Box 5 gang surface red	4-5/8"	10-3/16"	1-3/4"
IGB6R	Back Box 6 gang surface red	4-5/8"	12"	1-3/4"

AlerteM

Space Age Electronics, Inc.

www.1sae.com

800.486.1723 Toll Free

508.485.0966 Local

508.485.4740 Fax

No Excuses, Just Solutions!

This document is subject to change without notice, see doc # ED0479 for legal disclaimer

ED0440

LT10450

Rev.A

2/2