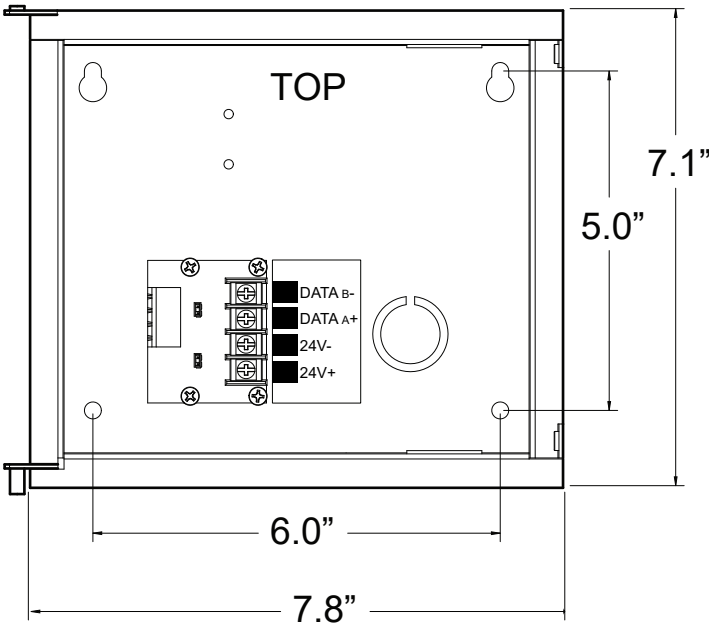


Installation Instructions

SHIELD Remote Box



Installation and wiring should be performed by qualified personnel only - Equipment damage and/or malfunction may result from improper installation. All work of any kind shall be performed to meet the requirements of any and all local, state and federal codes and/or standards set by the authority having jurisdiction.



Equipment Supplied

- SHIELD Remote box.

Installation Procedure

- Remove from packaging and open box.
- Place back box on wall where it is to be mounted and mark the location of holes to mount box to the wall.
- Drill appropriate size holes in wall for appropriate mounting screws being used, (screws not supplied).
- Mount back box to wall with appropriate hardware (not supplied).

